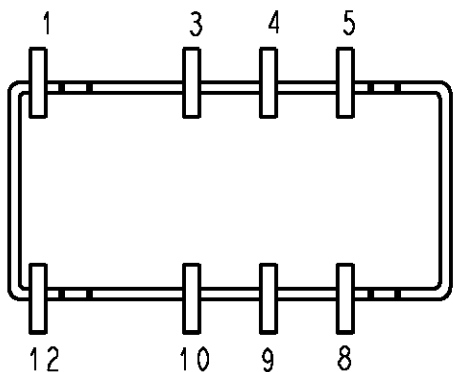
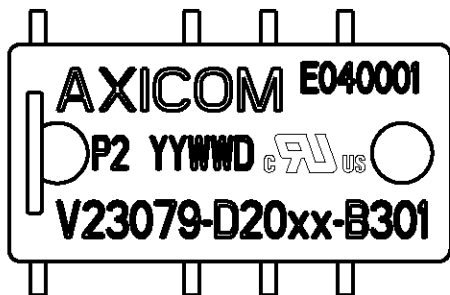
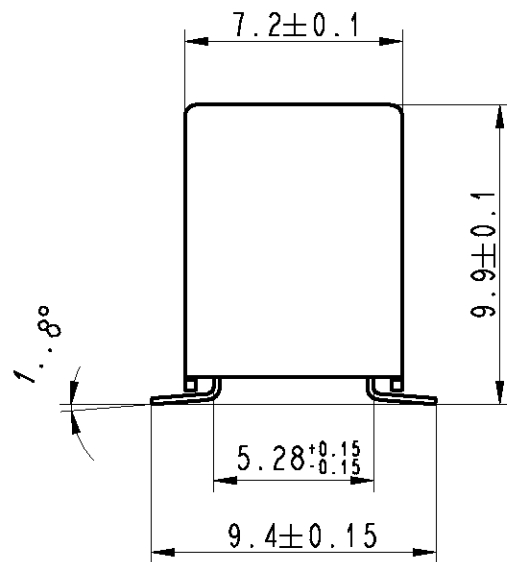
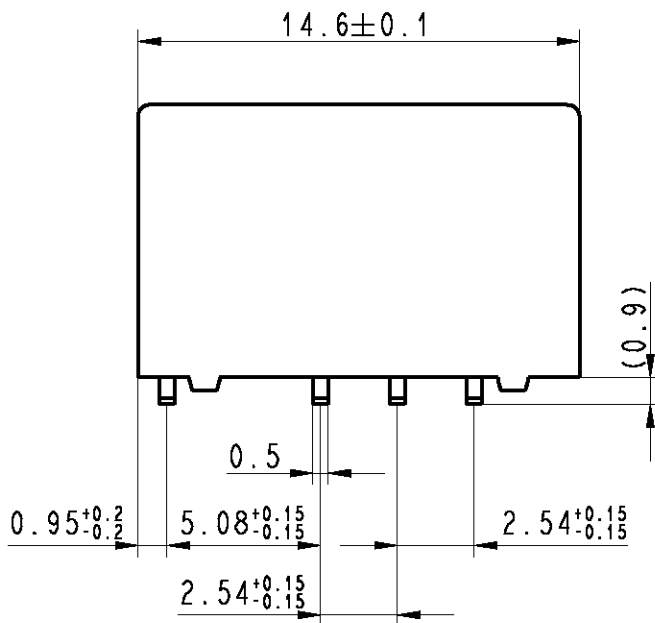


LOC	DIST	REVISIONS					
		P	LTR	DESCRIPTION	DATE	DWN	APVD
HJ	-		C2	REVISED PER ECO-11-005150	25MAR11	RK	HMR



Relay - bottom view



xx = Relay type
YYWWD = Date code

DRAWING ALIAS C23303-A079-A004

RELEASED FOR PUBLICATION

ALL RIGHTS RESERVED.

THIS DRAWING IS UNPUBLISHED.

BY -
© COPYRIGHT

DIMENSIONS: mm	DWN	Korytak	02Jun2004	MATERIAL	-	FINISH	-	
	CHK	Korytak	02Jun2004					
TOLERANCES UNLESS OTHERWISE SPECIFIED: DIN 7168-m	APVD	Korytak	02Jun2004					
0 PLC ±-	PRODUCT SPEC	-						
1 PLC ±	APPLICATION SPEC	-						
2 PLC ±	WEIGHT	-						
3 PLC ±	CUSTOMER DRAWING	-						
4 PLC ±	SCALE	4:1						
ANGLES ±-	SHEET	1 OF 1						
	REV	C2						
	SIZE	A4	CAGE CODE	00779	DRAWING NO	C-1393789-4	RESTRICTED TO	-